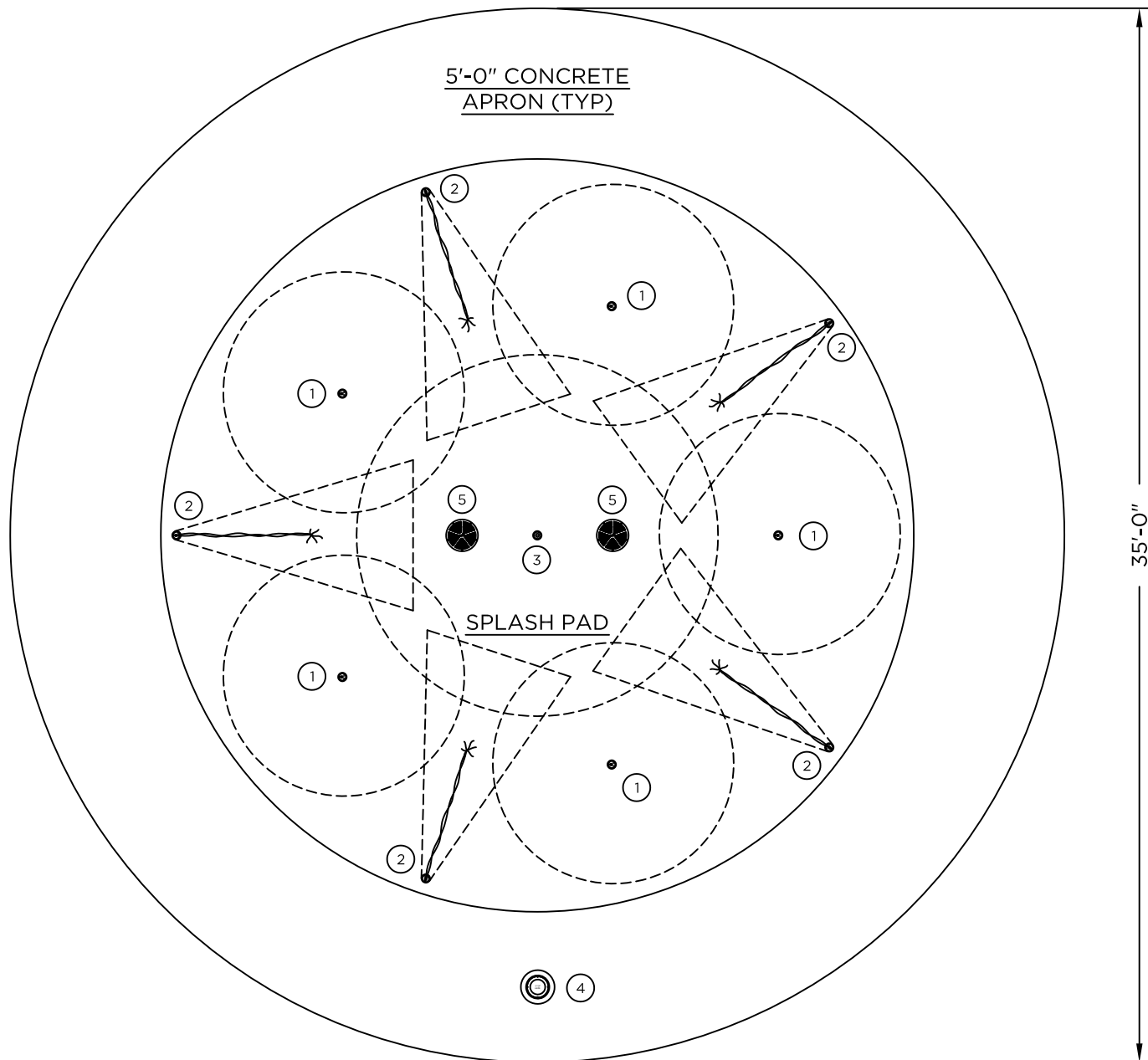
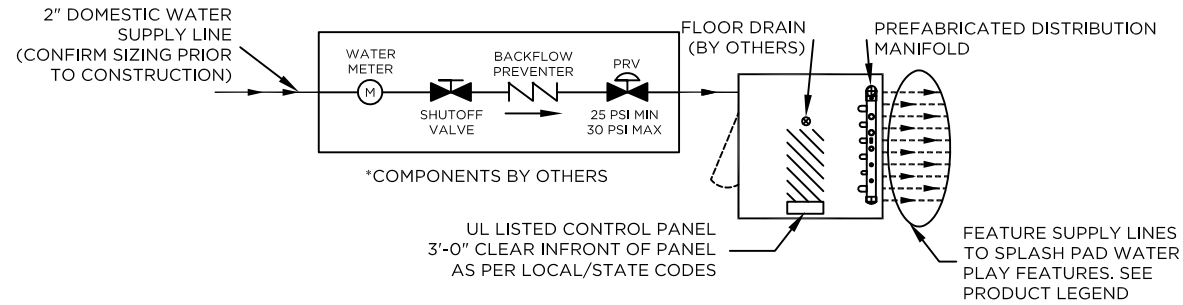


**PRELIMINARY  
FOR BID ONLY**

**NOT FOR  
CONSTRUCTION**

**EQUIPMENT ROOM (BY OTHERS, NTS)**  
**\*\*LOCATION TO BE DETERMINED\*\***



NO	PRODUCT	QTY	GPM	LINE SIZE
1	STREAM JET	5	5 EA	1" EA
2	ARCH JET	5	5 EA	1" EA
3	JUNIOR WATER JEWEL	1	7	1"
4	STEP PAD ACTIVATOR	1	--	--
5	DRAIN BOX	2	--	--

- NOTE:**
- ALL CONCRETE SLOPES TO BE 1/8"/FT MIN. AND 1/4"/FT MAX.
  - SITE ELEVATIONS OF SPLASH PAD AND CONCRETE APRON TO BE VERIFIED BY OTHERS. AQUATIX ELEVATION REFERENCE IS 0'-0" FOR TOP OF DRAIN BOX. ALL OTHER NOTED ELEVATIONS ARE REFERENCED FROM THAT POINT.
  - REFER TO SPEC SHEET AND INSTALLATION DRAWING FOR EACH PRODUCT.
  - ACTUAL SIZE, SHAPE, AND LOCATION OF SPLASH PAD TO BE FIELD DETERMINED BY OTHERS. ALL DIMENSIONS OF SIZE AND SHAPE OF SPLASH PAD FOR REFERENCE ONLY.
  - THE INTENT OF A SPLASH PAD IS TO BE A DRY DECK WITH NO STANDING WATER. THE WATER IS TO BE CONTAINED WITHIN THE PERIMETER OF THE SPLASH PAD AND ALL WATER IS TO DRAIN INTO THE DRAIN BOXES. THE CONCRETE IS TO BE FORMED AND SLOPED TO ACCOMMODATE THIS DRAIN PATTERN.
  - ALL TREATED SPLASH PAD WATER IS INTENDED TO REMAIN WITHIN DESIGNATED SPLASH PAD DECK. UNDER NO CIRCUMSTANCES SHOULD SLOPE OF SPLASH PAD ALLOW WATER TO DRAIN OFF PAD. UNDER NO CIRCUMSTANCES SHALL THE SURROUNDING HARDSCAPE AREA BE SLOPED TO ALLOW WATER TO BE DRAINED INTO THE SPLASH PAD DECK.
  - ALL CONCRETE SURFACES TO HAVE A MEDIUM BROOM FINISH.
  - COORDINATE EXPANSION JOINT AND SAW CUT LOCATIONS WITH PLAY EQUIPMENT LOCATIONS. DRAWINGS ARE FOR DESIGN/LAYOUT PURPOSES ONLY. PLEASE SEE AQUATIX BY LANDSCAPE STRUCTURES FOR INCLUDED STRUCTURES, EQUIPMENT, SERVICES, AND EXCLUSIONS.
  - INDICATES SPLASH ZONE.
  - SPLASH ZONES ARE APPROXIMATE. ACTUAL SPLASH ZONE MAY VARY BASED ON VARIOUS ENVIRONMENTAL CONDITIONS, FLOW RATES, SLOPE OF THE SPLASH PAD, SUBMERGENCE DEPTH AND WIND.
  - DRAWINGS ARE SCHEMATIC ONLY.
  - SUB-CUT EXCAVATION UNDER SPLASH PAD MIN. 18" FOR GRANULAR FILL.
  - CONSTRUCTION OF SPLASH PAD CONCRETE TO BE 5" THICK, 4,000 PSI CONCRETE WITH #4 BARS SPACED 12" O.C. EACH WAY OR AN EQUIVALENT WELDED WIRE MESH (EQUIVALENT MESHES INCLUDE W6 ON 4" X 4" SPACING OR W10 ON 6" X 6" SPACING. CONCRETE PAD TO HAVE REQUIRED EXPANSION JOINTS EVERY 20' X 20', SAW-CUT JOINTS EVERY 10' AND THICKEN PROFILES AT EDGE OF PAD AND AT EACH STRUCTURE/EMBED.
  - CONSTRUCTION OF 5' APRON AROUND PERIMETER OF SPLASH PAD TO BE 4" THICK, WIRE MESH REINFORCED, 3500 PSI CONCRETE. APRON TO INCLUDE EXPANSION JOINT AT PERIMETER EDGE OF SPLASH PAD AND NEEDED SAW-CUT JOINTS.
  - SCHEDULE 80 PVC TO BE UTILIZED FOR ALL SPLASH PAD MECHANICAL SYSTEM PIPING.

SPLASH PAD AREA: 491 SQ FT.  
TOTAL AREA: 962 SQ FT.  
TOTAL FEATURE FLOW RATE: 57 GPM

NO.	REVISION	DATE							
PROPOSAL TITLE <b>CRANDALL PARK SPLASH PAD</b>					LOCATION <b>QUEENSBURY, NY</b>				
SCALE	DRAWN	CHECKED	DWG. FILE	DATE	PROPOSED SPLASH PAD SCHEMATIC LAYOUT				
NOT TO SCALE				3/18/19					
PROPOSAL NO <b>19081A-1</b>									
<div style="border: 1px solid black; border-radius: 50%; width: 40px; height: 40px; margin: 0 auto; display: flex; align-items: center; justify-content: center;"> <span style="font-size: 24px; font-weight: bold;">1</span>  <span style="font-size: 12px;">OF 1</span> </div>									